

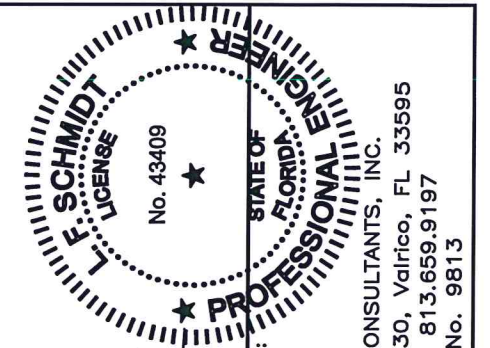


**TRINITY GLASS**  
INTERNATIONAL

33615 1st Way S, Federal Way, WA 98003

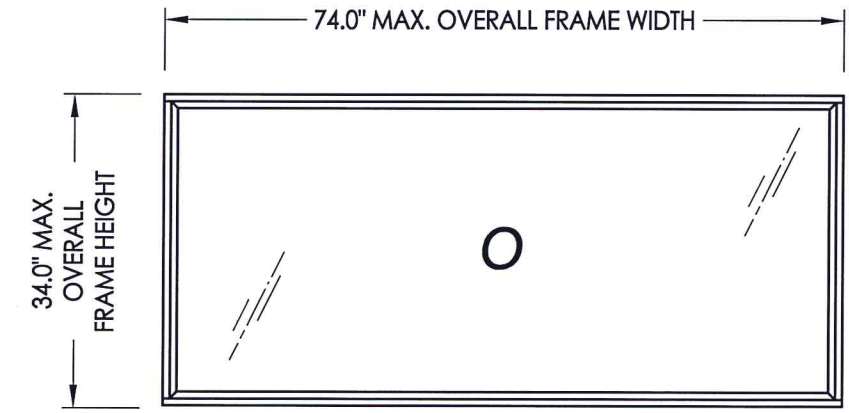
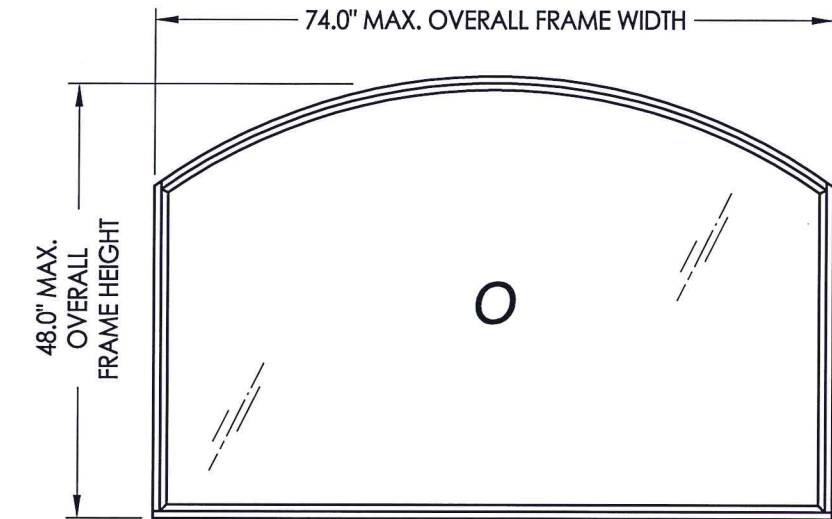
# TRANSOM / FIXED LITE

## "NON-IMPACT"



Documents Prepared By:  
Lyndon F. Schmidt  
P.E. No. 43409

R.W. BUILDING CONSULTANTS, INC.  
P.O. Box 230, Vairico, FL 33595  
Phone No.: 813.659.9197  
FBPE C.A. No. 9813



**GENERAL NOTES**

1. This product has been evaluated and is in compliance with the 5th Edition (2014) Florida Building Code (FBC) structural requirements excluding the "High Velocity Hurricane Zone" (HVHZ).
2. Product anchors shall be as listed and spaced as shown on details. Anchor embedment to base material shall be beyond wall dressing or stucco.
3. When used in areas requiring wind borne debris protection this product is required to be protected with an impact resistant covering that complies with Section 1609.1.2 of the FBC.
4. For 2x stud framing construction, anchoring of these units shall be the same as that shown for 2x buck masonry construction.
5. Site conditions that deviate from the details of this drawing require further engineering analysis by a licensed engineer or registered architect.

TABLE OF CONTENTS	
SHEET #	DESCRIPTION
1	Typical elevation, design pressures & general notes
2	Horizontal and vertical cross sections
3	Buck & frame anchoring (Radius)
4	Buck & frame anchoring (Rectangular)
5	Bill of materials, glazing details & components

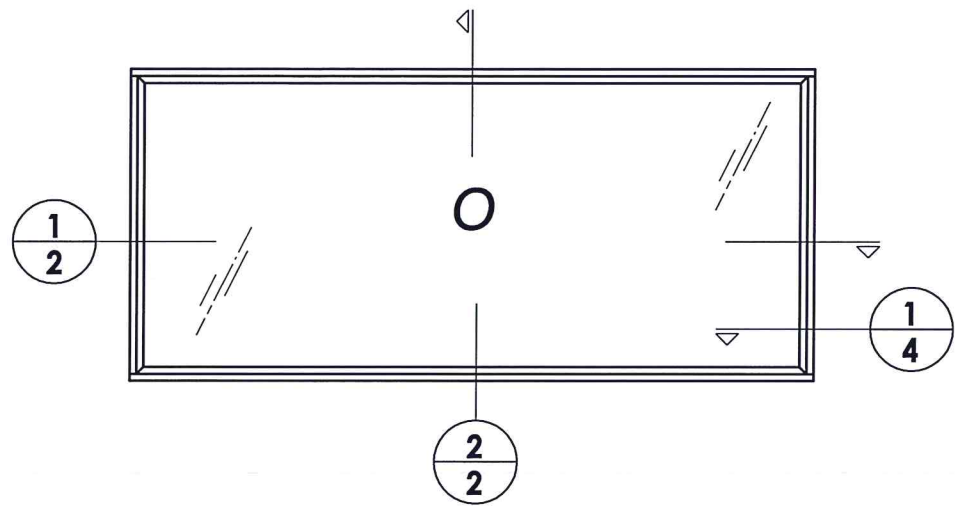
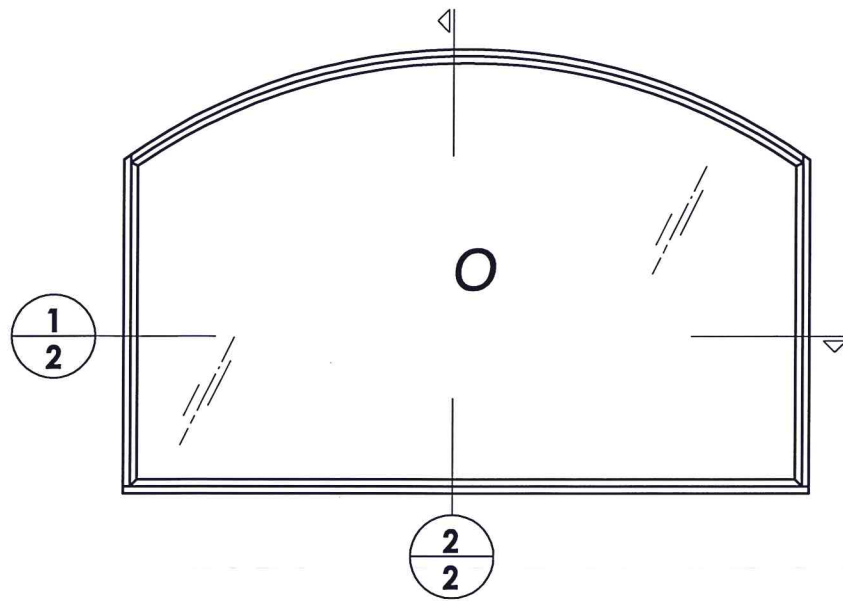
UNIT TYPE	OVERALL FRAME DIMENSION	OVERALL D.L.O. DIMENSION	GLASS TYPE	DESIGN PRESSURE (PSF)	
				POSITIVE	NEGATIVE
RADIUS	74.0" x 48.0"	71.0" x 44.87"	G1	+65.0	-65.0
RECTANGULAR	74.0" x 34.0"	71.0" x 30.87"	G2	+65.0	-65.0

PRODUCT: TRINITY / FIXED LITE  
PART OR ASSEMBLY: TYPICAL ELEVATION, DESIGN PRESSURES & GENERAL NOTES

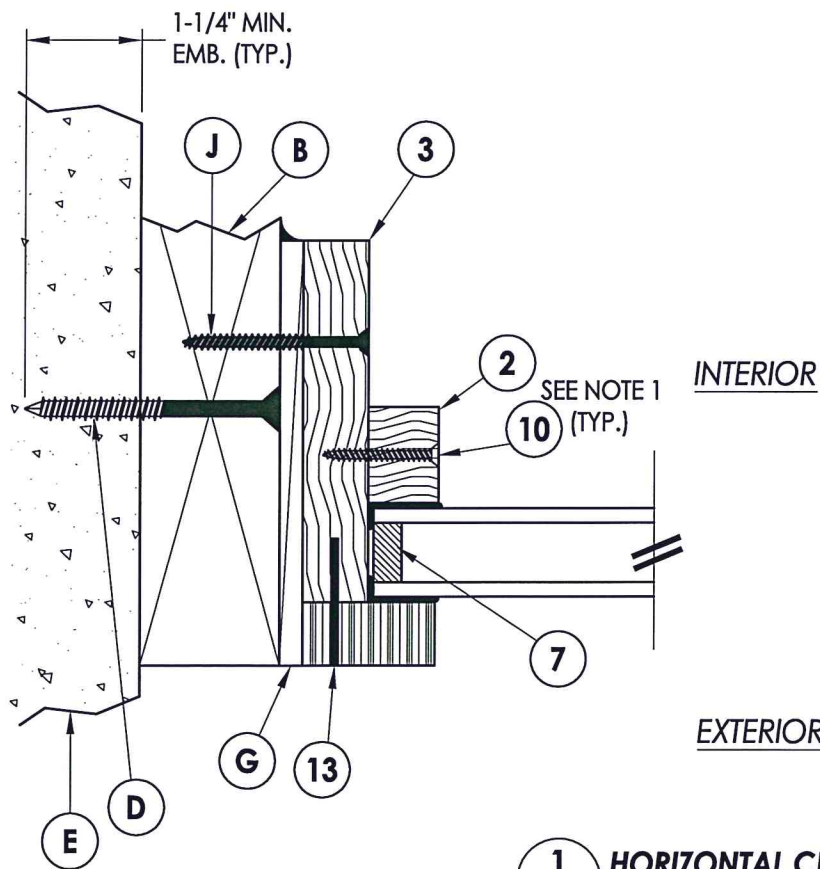
NO.	DATE	REVISIONS	
		BY	DATE
2	3/03/15	JK	UPDATE TO 5TH ED. (2014) FBC
1	1/16/12	LFS	UPDATE TO 2010 FBC

DATE: 12/11/08  
SCALE: N.T.S.  
DWG. BY: AL  
CHK. BY: LFS  
DRAWING NO.: FL-5016.1  
SHEET 1 OF 5

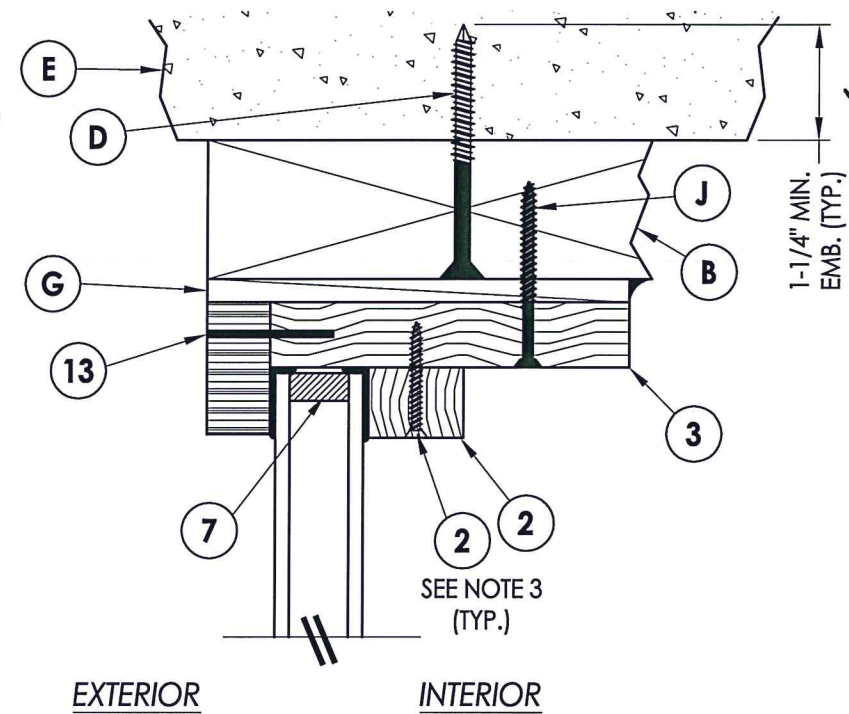
R:\Clients\Trinity PERMANENT\Florida Product Approvals\FL-5016\2014\Drawings\FL-5016 (2014)\FL-5016.1.dwg, 5016.1



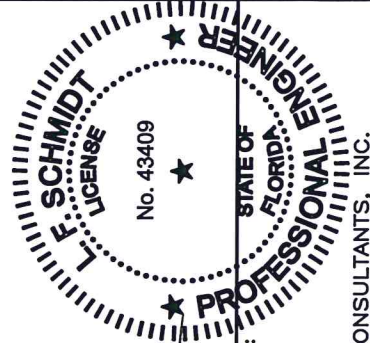
- NOTES:
1. SCREWS LOCATED 6" FROM EACH END PLUS TWO MORE EQUALLY SPACED.
  2. BRAD NAILS LOCATED 1" FROM EACH END & 6" O.C. THEREAFTER.
  3. SCREWS LOCATED 6" FROM EACH END & 12" O.C. THEREAFTER.



**1**  
**2** HORIZONTAL CROSS SECTION



**2**  
**2** VERTICAL CROSS SECTION



Documents Prepared By:  
Lyndon F. Schmidt  
P.E. No. 43409

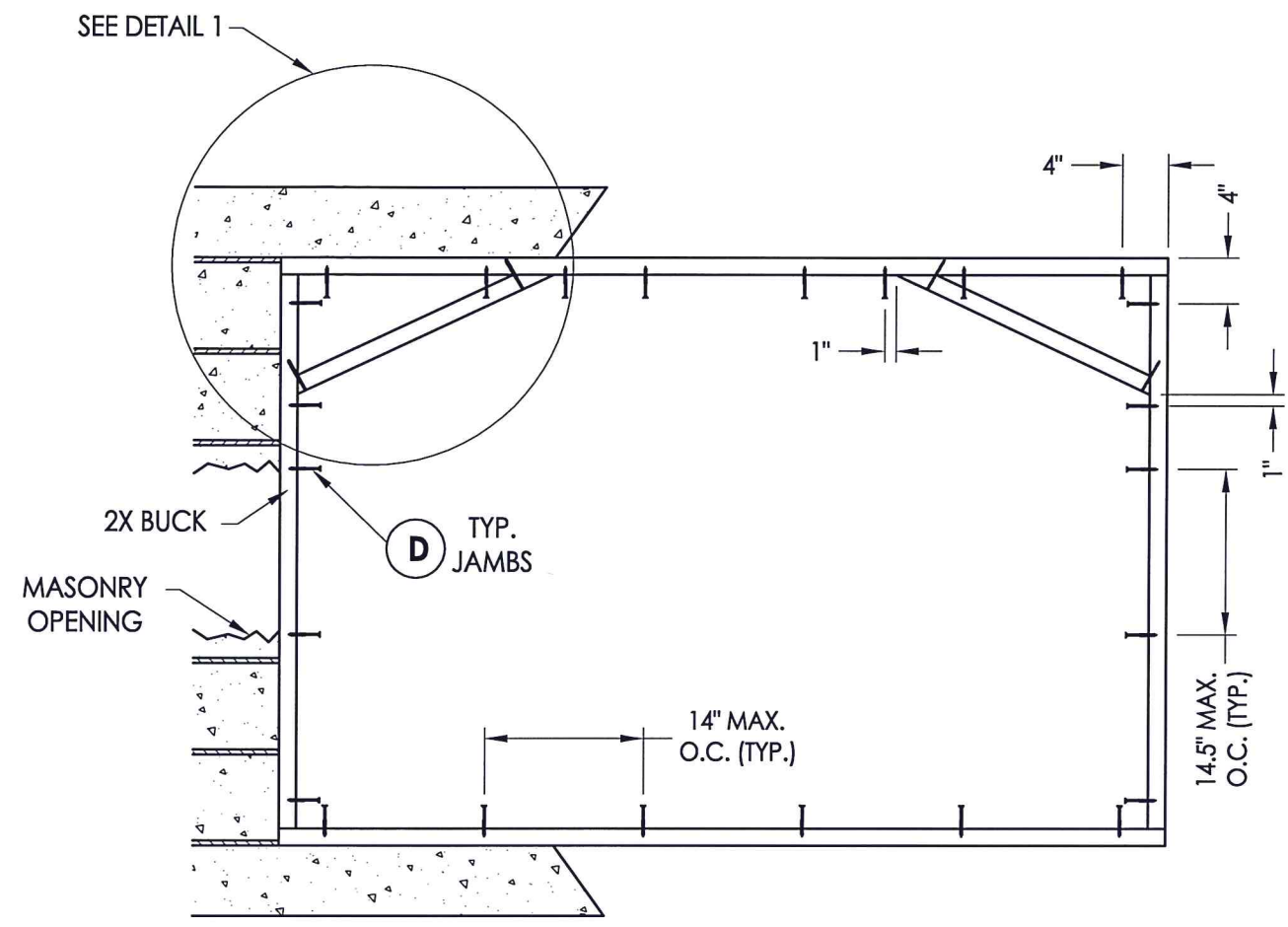
**R.W.** BUILDING CONSULTANTS, INC.  
P.O. Box 230, Vairico, FL 33595  
Phone No.: 813.659.9197  
FBPE C.A. No. 9813

PRODUCT:	TRINITY / FIXED LITE
PART OR ASSEMBLY:	HORIZONTAL AND VERTICAL CROSS SECTIONS

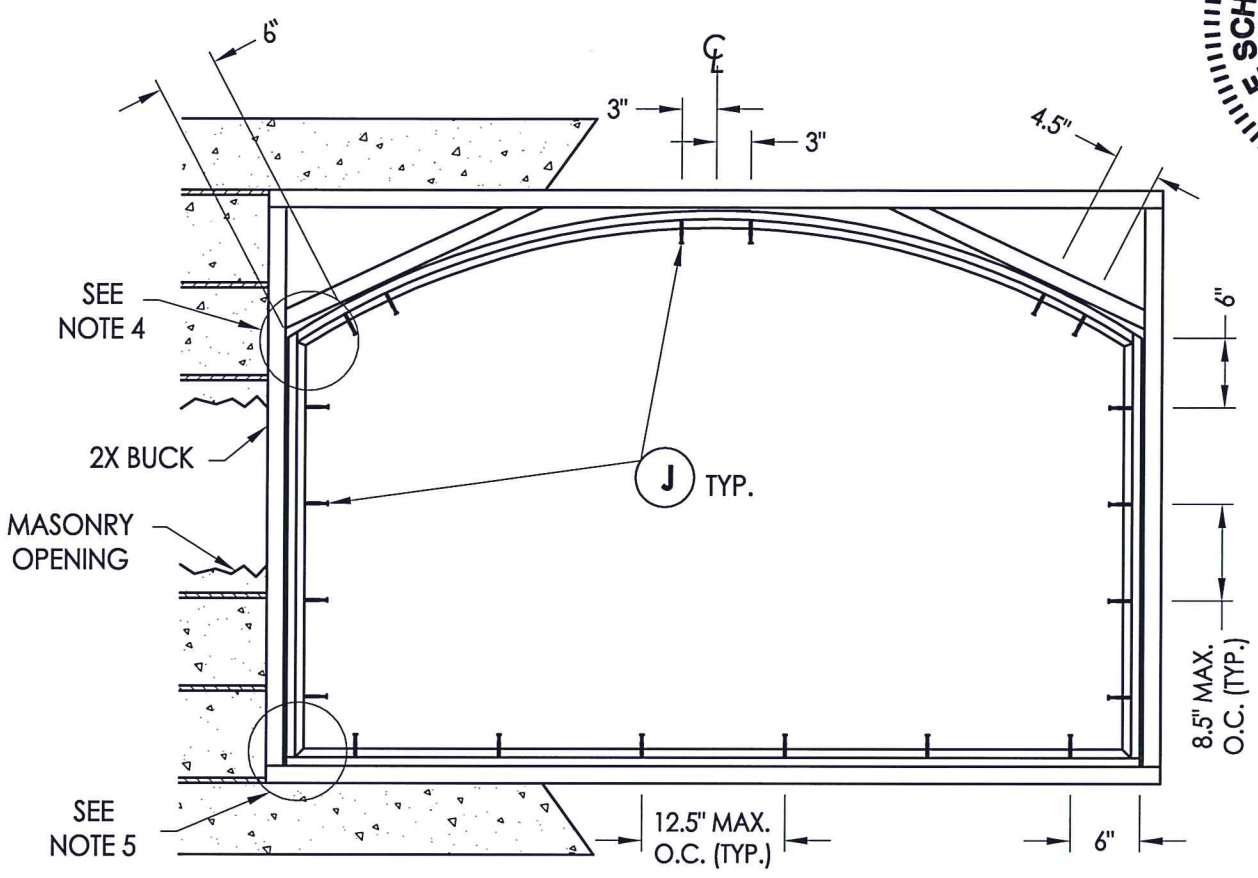
NO.	DATE	BY	REVISIONS
2	3/03/15	JK	UPDATE TO 5TH ED. (2014) FBC
1	1/16/12	LFS	UPDATE TO 2010 FBC

DATE:	12/11/08
SCALE:	N.T.S.
DWG. BY:	AL
CHK. BY:	LFS
DRAWING NO.:	FL-5016.1
SHEET	2 OF 5

R:\Clients\Trinity PERMANENT\Florida Product Approvals\FL-5016\C - Drawings\FL-5016 (2014)\FL-5016.1.dwg, 3.1



**BUCK ANCHORING**



**FRAME ANCHORING**  
Masonry 2x buck construction

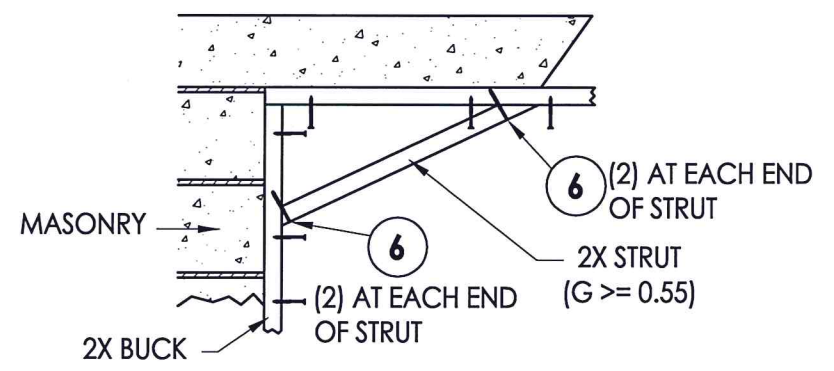
**CONCRETE ANCHOR NOTES:**

1. Concrete anchor locations at the corners may be adjusted to maintain the min. edge distance to mortar joints.
2. Concrete anchor locations noted as "MAX. ON CENTER" must be adjusted to maintain the min. edge distance to mortar joints, additional concrete anchors may be required to ensure the "MAX. ON CENTER" dimension are not exceeded.
3. Concrete anchor table:

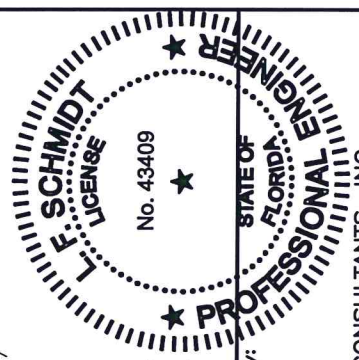
ANCHOR TYPE	ANCHOR SIZE	MIN. EMBEDMENT	MIN. CLEARANCE TO MASONRY EDGE	MIN. CLEARANCE TO ADJACENT ANCHOR
ITW TAPCON®	1/4"	1-1/4"	2"	4"
ELCO ULTRACON®	1/4"	1-1/4"	1"	4"

**WOOD SCREW INSTALLATION NOTES:**

1. Maintain a minimum 5/8" edge distance, 1" end distance, & 1" o.c. spacing of wood screws to prevent the splitting of wood.



**DETAIL 1**  
Corner framing

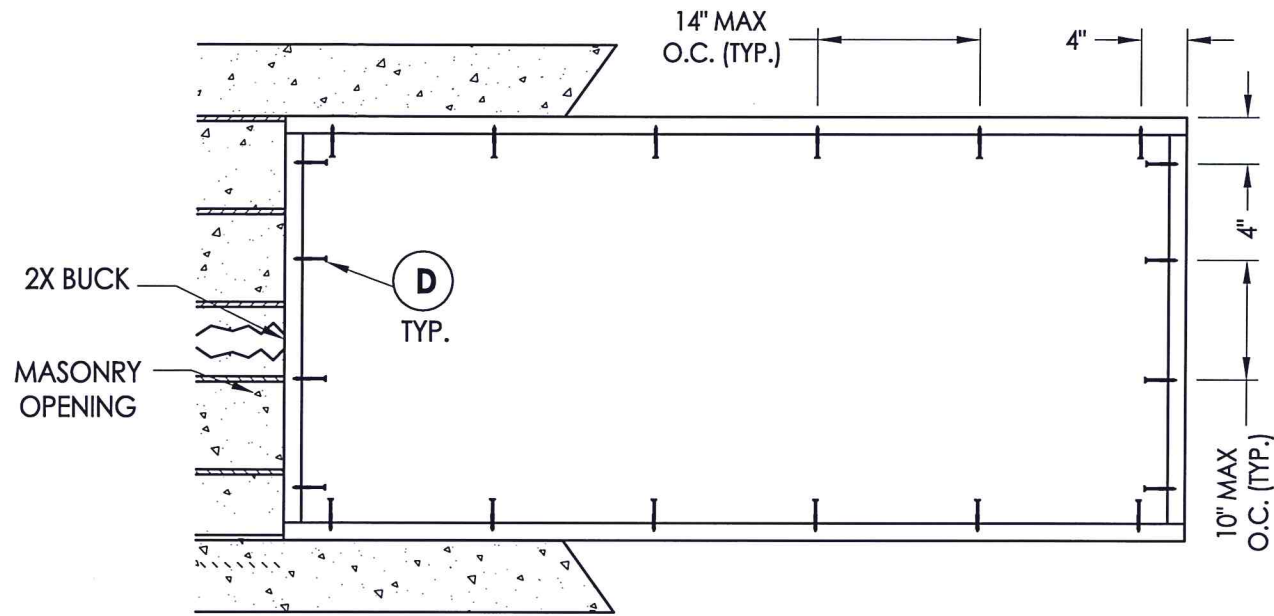


Documents Prepared By:  
Lyndon F. Schmidt  
P.E. No. 43409

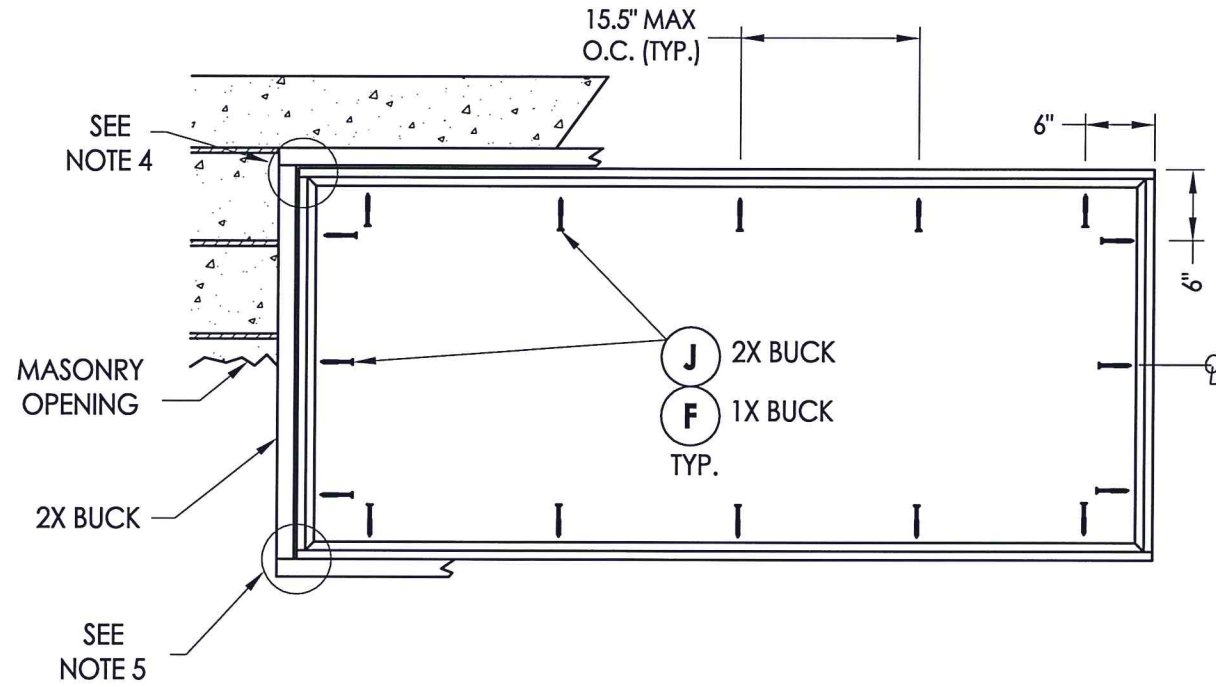
**R.W.** BUILDING CONSULTANTS, INC.  
P.O. Box 230, Valrico, FL 33595  
Phone No.: 813.659.9197  
FBPE C.A. No. 9813

PRODUCT:	TRINITY TRANSOM / FIXED LITE	
PART OR ASSEMBLY:	BUCK & FRAME ANCHORING (RADIUS)	
DATE:	12/11/08	
SCALE:	N.T.S.	
DWG. BY:	AL	
CHK. BY:	LFS	
DRAWING NO.:	FL-5016.1	
SHEET	3 OF 5	
NO.	DATE	REVISIONS
2	3/03/15	UPDATE TO 5TH ED. (2014) FBC
1	1/16/12	UPDATE TO 2010 FBC

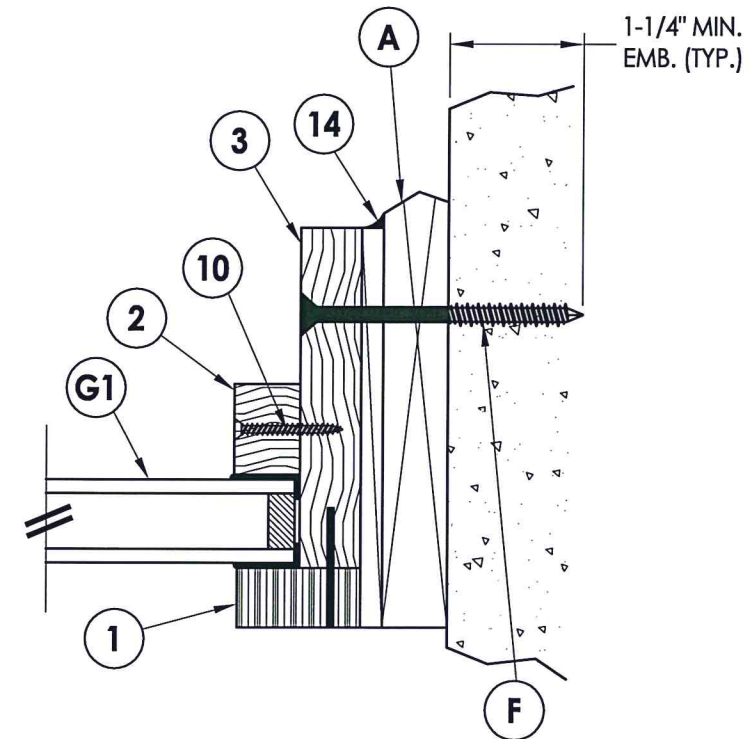
R:\Clients\Trinity PERMANENT\Florida Product Approvals\FL-5016\C - Drawings\FL-5016 (2014)\FL-5016.1.dwg, 4.1



**BUCK ANCHORING**



**FRAME ANCHORING**  
Masonry 2X buck construction



**1 HORIZONTAL CROSS SECTION**  
4 Shown w/ 1X sub-buck

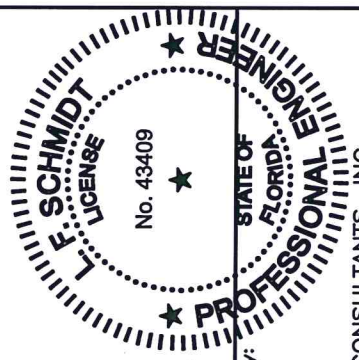
**CONCRETE ANCHOR NOTES:**

1. Concrete anchor locations at the corners may be adjusted to maintain the min. edge distance to mortar joints.
2. Concrete anchor locations noted as "MAX. ON CENTER" must be adjusted to maintain the min. edge distance to mortar joints, additional concrete anchors may be required to ensure the "MAX. ON CENTER" dimension are not exceeded.
3. Concrete anchor table:

ANCHOR TYPE	ANCHOR SIZE	MIN. EMBEDMENT	MIN. CLEARANCE TO MASONRY EDGE	MIN. CLEARANCE TO ADJACENT ANCHOR
ITW TAPCON®	1/4"	1-1/4"	2"	4"
ELCO ULTRACON®	1/4"	1-1/4"	1"	4"

**WOOD SCREW INSTALLATION NOTES:**

1. Maintain a minimum 5/8" edge distance, 1" end distance, & 1" o.c. spacing of wood screws to prevent the splitting of wood.



*LFS*  
3/21/15

Documents Prepared By:  
Lyndon F. Schmidt  
P.E. No. 43409

**R.W.** BUILDING CONSULTANTS, INC.  
P.O. Box 230, Valrico, FL 33595  
Phone No.: 813.659.9197  
FBPE C.A. No. 9813

PRODUCT: TRINITY TRANSOM / FIXED LITE  
PART OR ASSEMBLY: BUCK & FRAME ANCHORING (RECTANGULAR)

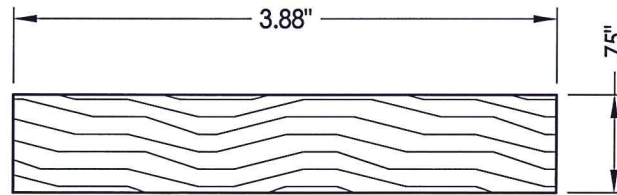
NO.	DATE	BY	REVISIONS
2	3/03/15	JK	UPDATE TO 5TH ED. (2014) FBC
1	1/16/12	LFS	UPDATE TO 2010 FBC

DATE: 12/11/08  
SCALE: N.T.S.  
DWG. BY: AL  
CHK. BY: LFS  
DRAWING NO.: FL-5016.1  
SHEET 4 OF 5

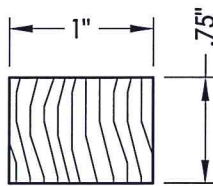
R:\Clients\Trinity PERMANENT\Florida Product Approvals\FL-5016\C - Drawings\FL-5016 (2014)\FL-5016.1.dwg, 5.1

**BILL OF MATERIALS**

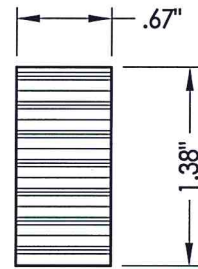
ITEM	DESCRIPTION	MATERIAL
A	1X BUCK (G >= 0.55)	WOOD
B	2X BUCK (G >= 0.55)	WOOD
D	1/4" X 2-3/4" PFH ELCO OR ITW CONCRETE SCREW	STEEL
E	MASONRY - 3,000 PSI MIN. CONCRETE CONFORMING TO ACI 301 OR HOLLOW BLOCK CONFORMING TO ASTM C90	CONCRETE
F	1/4" X 3-1/4" PFH ELCO OR ITW CONCRETE SCREW	STEEL
G	MAX. 1/4" SHIM SPACE	-
J	#8 X 2" PFH WOOD SCREW	STEEL
1	EXTERIOR GLASS STOP	PVC
2	INTERIOR GLASS STOP (POPLAR: G = .39 OR BETTER)	WOOD
3	FRAME (POPLAR: G = .39 OR BETTER)	WOOD
6	#8 X 3" PFH WOOD SCREW	STEEL
7	GLAZING SPACER .250" THICK SWIGGLE (TRUSEAL)	-
10	#8 X 1-1/4" PFH WOOD SCREW	STEEL
12	GLAZING COMPOUND	SILICONE
13	1/8" X 1-3/8" 18ga STAPLE	STEEL
14	LATEX CAULK	-



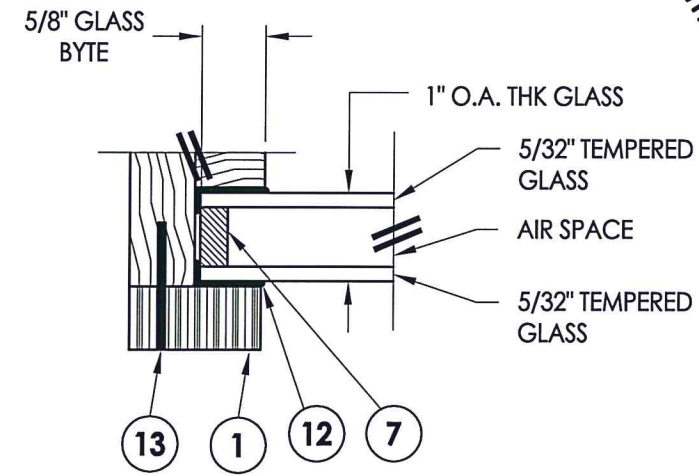
**3 FRAME**



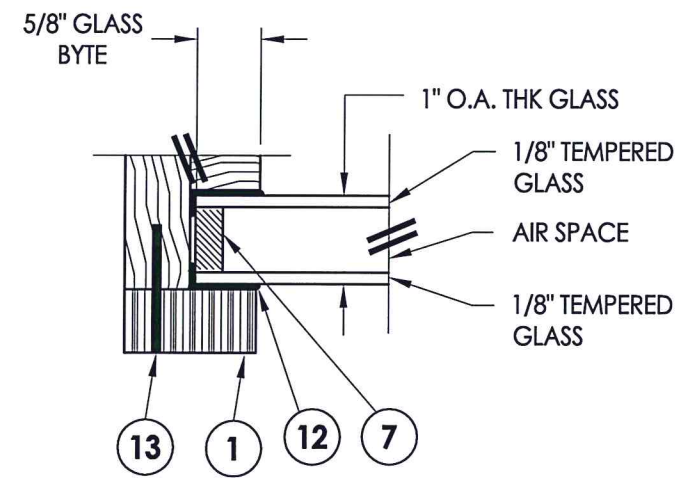
**2 INTERIOR GLASS STOP**



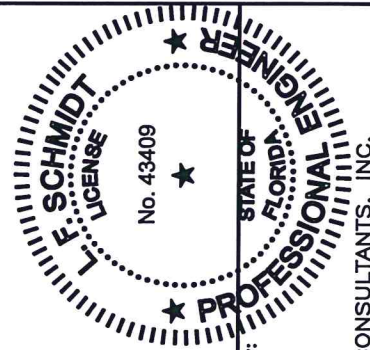
**1 EXTERIOR GLASS STOP**



**G1 GLAZING DETAIL**



**G2 GLAZING DETAIL**



Documents Prepared By:  
Lyndon F. Schmidt  
P.E. No. 43409

**R.W.** BUILDING CONSULTANTS, INC.  
P.O. Box 230, Valrico, FL 33595  
Phone No.: 813.659.9197  
FBPE C.A. No. 9813

PRODUCT:	TRINITY TRANSOM / FIXED LITE	
PART OR ASSEMBLY:	BILL OF MATERIALS, GLAZING DETAIL & COMPONENTS	
NO.	DATE	BY
2	3/03/15	JK
1	1/16/12	LFS
REVISIONS		

DATE:	12/11/08
SCALE:	N.T.S.
DWG. BY:	JK
CHK. BY:	LFS
DRAWING NO.:	FL-5016.1
SHEET	5 OF 5